




# Indoor Flexibility

GAS SPRINGS · TENSION SPRINGS · OIL DAMPERS  APPLICATION

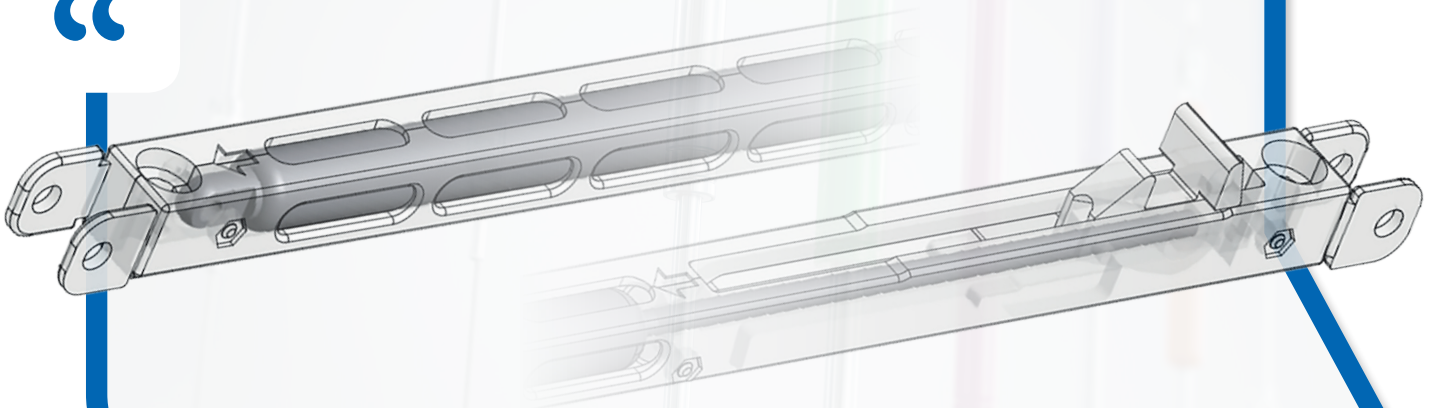
**YOU WOULD LIKE TO IMPROVE LIVING SPACES WITH US,  
BUT ARE UNCERTAIN WHICH GAS SPRING TO PICK FOR YOUR APPLICATION?**



Visit us online or talk in person to one of our experts.

**HAHN IS WITH YOU ALL THE WAY.**

It starts with a conversation to hatch ideas, continues with a solid plan and ends with an on-time delivery, supported by a large selection of products and a responsive customer service – no matter how big your project.





# AS UNIQUE AS YOUR FURNITURE: INDIVIDUALITY CAN BE ARRANGED.



**HIGHLY LUXURIOUS.  
EXTRAORDINARILY SMOOTH. ABSOLUTELY UNIQUE.**

HAHN gas springs add something extra to the comfort of a home. A wide selection of durable materials and many proven product combinations makes it possible to even use them in yachts, airplanes or in shop-fitting, where maintenance-free and reliable operation are key.

From ballpoint pen type gas springs to sliding door dampers (SDD) to stainless steel gas tension springs – as a world wide system provider, HAHN offers a more extensive portfolio than most other companies in the industry.



**YOU CAN'T IMPROVE A GOOD SYSTEM?  
HAHN CAN!**

In furniture manufacturing and interior work, our gas springs are used to move backrests, easily open closet doors or softly close sliding windows.

**ONE GAS SPRING,  
UNLIMITED POSSIBILITIES:**

- Upholstery
- Office furniture
- Piano benches and other fine furniture
- Height-adjustable tables
- Vitrines and showcases
- Separating wall systems
- Sliding doors and windows
- Folding beds
- and much more...



# GREAT COMFORT DOWN TO THE SMALLEST DETAIL: USE HAHN GAS SPRINGS TO MAKE YOUR FURNITURE PERFECT!

For more than 60 years, HAHN has been synonymous with modern processes, proven materials and professional implementation. As our customer's expectations grow, we also extend and improve our products and services.



Fast  
delivery



Industry-specific  
materials



Safe and  
comfortable handling



Manufacturer-specific  
solutions



Made in  
Germany



Customized  
manufacturing



No minimum quantity  
requirement



Comprehensive  
consultation



HAHN GASFEDERN GMBH  
Waldstraße 39-43 | 73773 Aichwald | Germany  
Phone: +49 0 711 936 705 -0 | Fax: -40  
info@hahn-gasfedern.de | www.hahn-gasfedern.de



STABILUS GMBH  
Wallerheimer Weg 100 | 56070 Koblenz | Germany  
info@stabilusindustryline.com  
www.stabilusindustryline.com